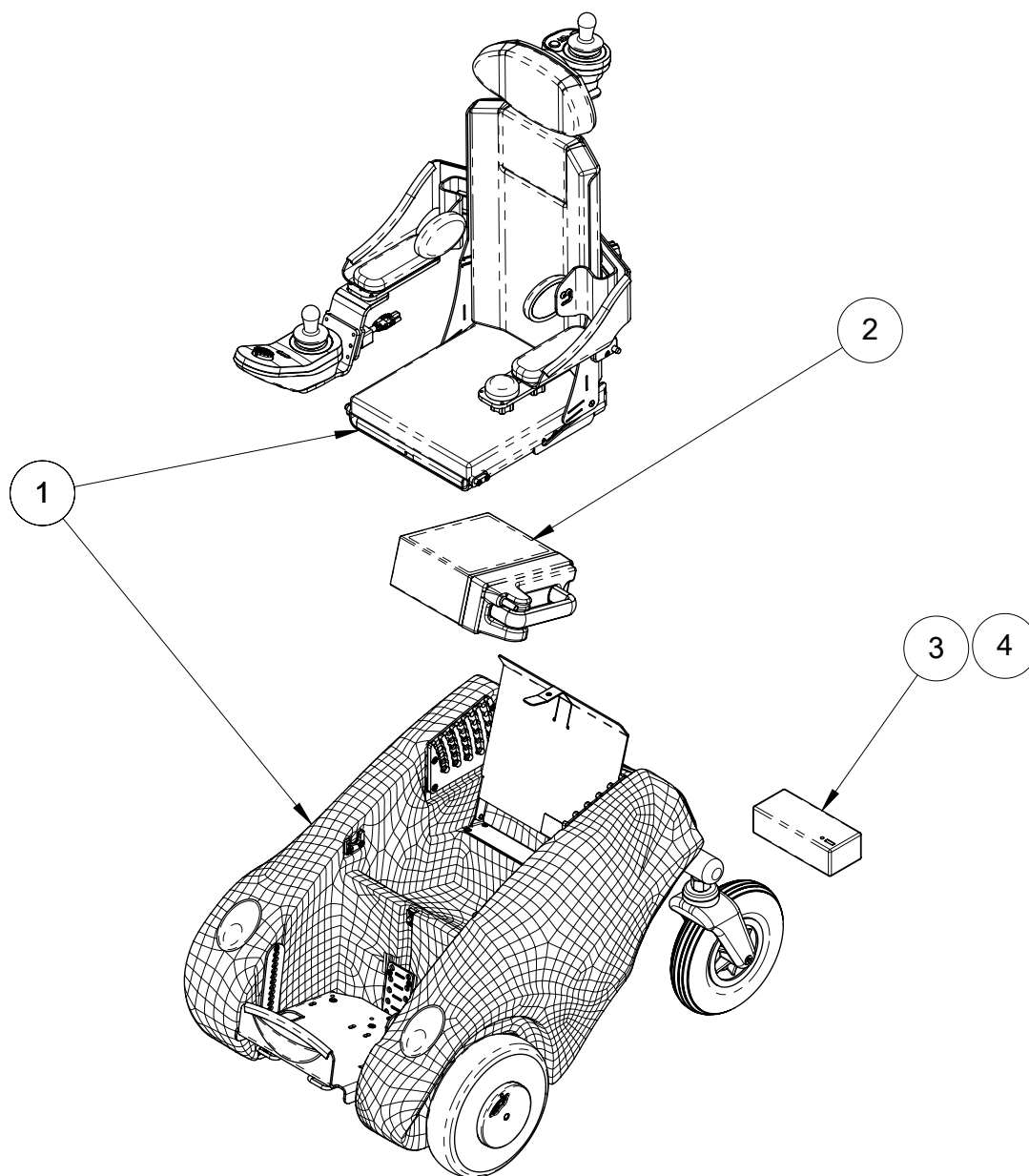


This document presents the spare parts available for Wizzybug.

On the following pages of this document, wiring looms and *italicized* entries are not highlighted on the exploded view, for clarity but are available as spare parts.

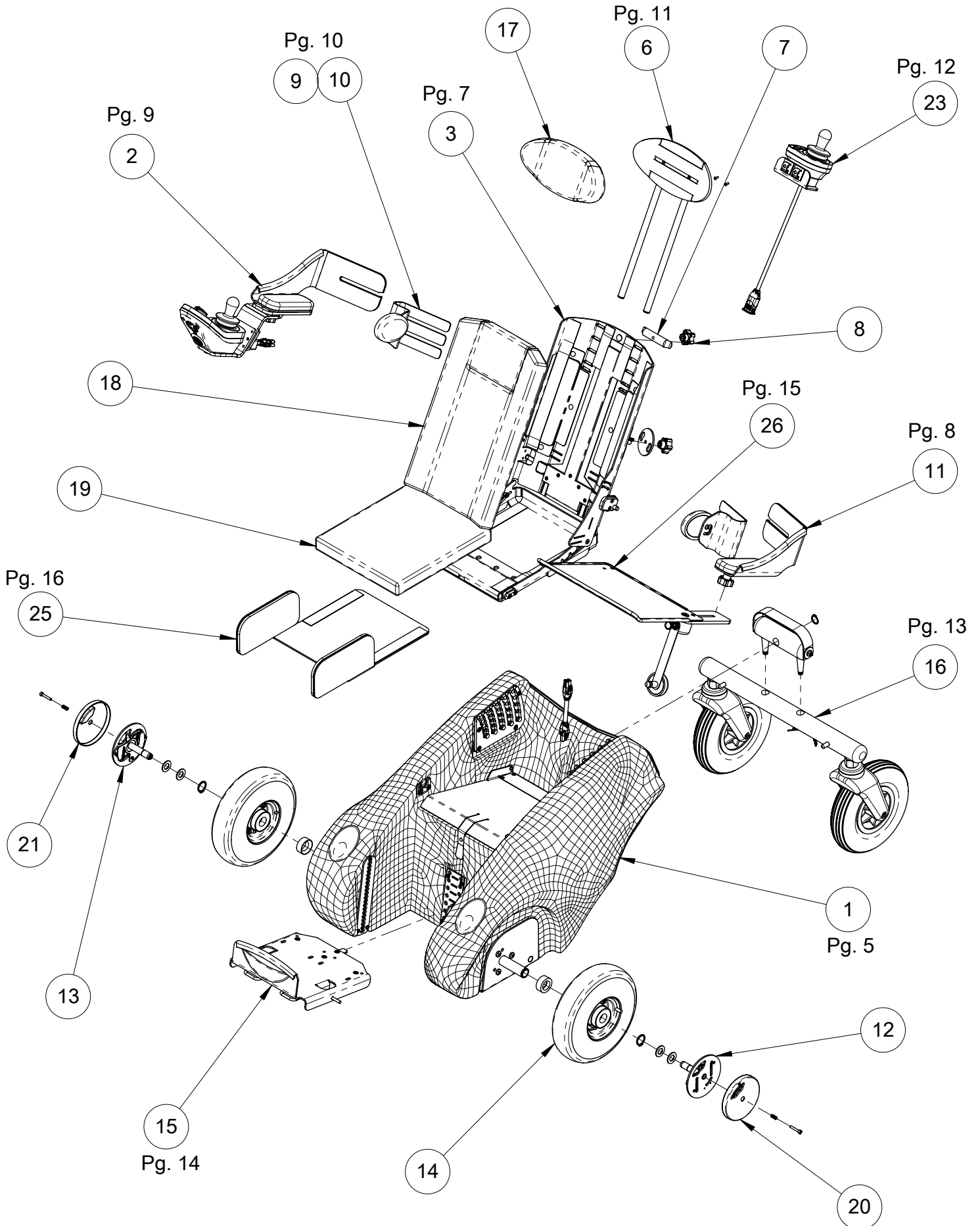
Document ID: 241-TFD-053 Wizzybug LiNX Spare Parts 5.0

Please contact Designability to enquire about the availability of any spare parts



ITEM NO.	PART NUMBER	DESCRIPTION	QUANTITY
1	30BB100 - 100119	WIZZYBUG ASSY - LINX	1
2	100506	BATTERY - 25.6V 10AH - LIFEPO4 - PBQ - ASSEMBLY	1
3	100508	CHARGER - 24V 2.5A - 3 PIN XLR - LIFEPO4 - PBQ	1
4	100529	CHARGING LEAD - UK - 2M	1
5	100538^100419	WIZZYBUG PROGRAM LIFEPO4 LINX	1

Please contact Designability to enquire about the availability of any spare parts



Please contact Designability to enquire about the availability of any spare parts

ITEM NO.	PART NUMBER	DESCRIPTION	QUANTITY
1	30BBCCC - 100123	BODY ASSY LINX	1
2	30BBCCC - 100318	ARMREST FULL ASSY RH LINX	1
3	100109	SEAT ASSY	1
4	100429	SHOULDER HARNESS MODIFIED	1
5	100430	PELVIC BELT MODIFIED	1
6	100110	HEADREST ASSY	1
7	100028	HEADREST CLAMP	1
8	100155	HAND WHEEL - BLACK - M5 FEMALE	1
9	100127	THORACIC ASSY LH	1
10	100127	THORACIC ASSY RH	1
11	100133	ARMREST FULL ASSY LH NO CONTROL	1
12	100114	WHEEL RELEASE ASSY LH	1
13	100115	WHEEL RELEASE ASSY RH	1
14	100397	FRONT WHEEL ASSY	2
15	100125	FOOTREST ASSY	1
16	100117	REAR REMOVABLE CASTOR ASSY	1
17	100329	CUSHION - HEADREST	1
18	100328	CUSHION - BACK	1
19	100327	CUSHION - SEAT BASE	1
20	100467	WHEEL RELEASE COVER STICKERED LH	1
21	100468	WHEEL RELEASE COVER STICKERED RH	1
22	100341	LABEL - BODY - EYE	2
23	30BBCCC - 100456	ATTENDANT CONTROL JOYSTICK ASSEMBLY LINX	1
24	100481	BUS CABLE - LINX - 1000 MM	1
25	100378	THIGH ADDUCTOR ASSEMBLY	1
26	100226	TRAY ASSY	1

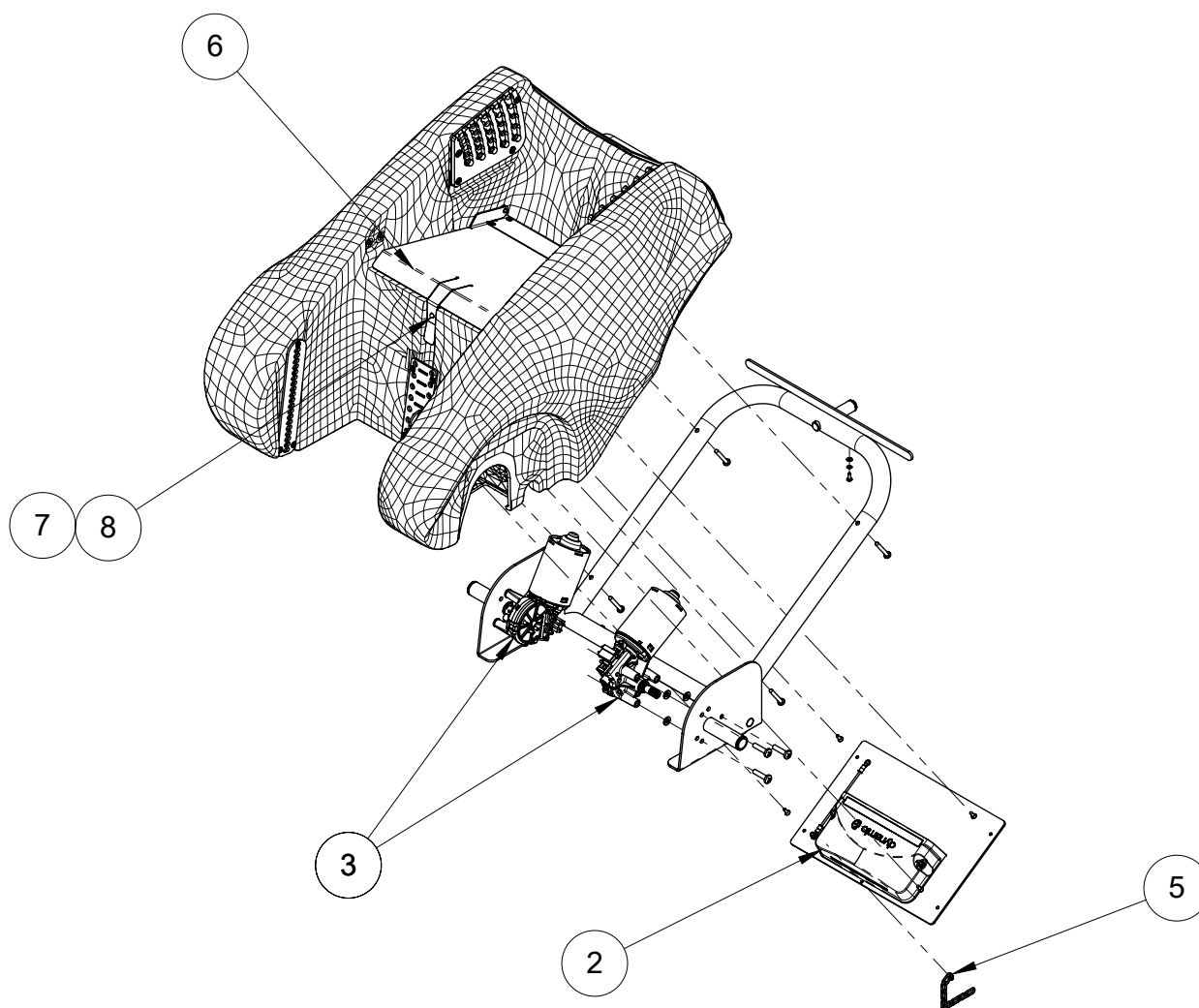
Additional parts not included in standard Wizzybug Assembly,

25 - 100378 - THIGH ADDUCTOR ASSEMBLY

26 - 100226 - TRAY ASSEMBLY

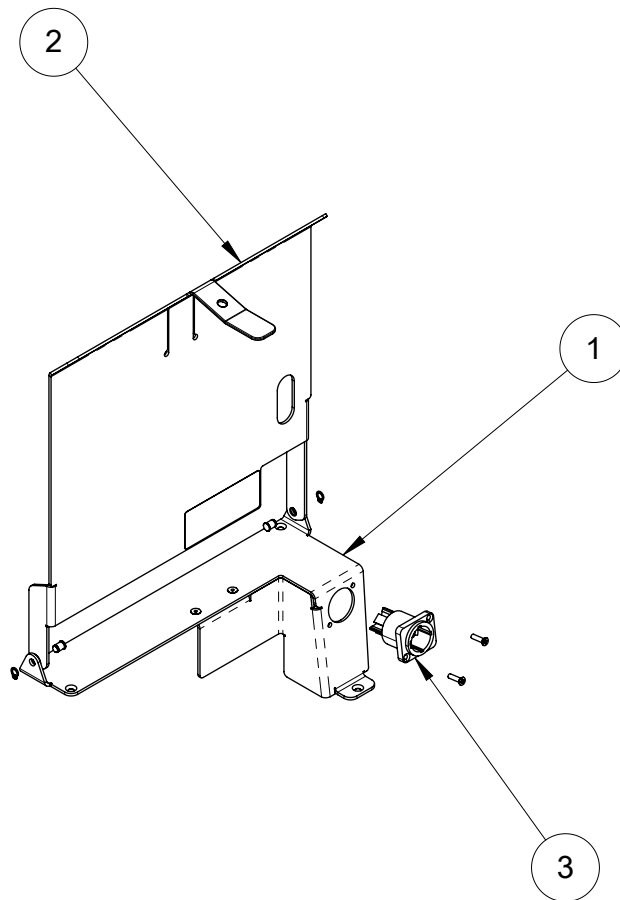
Further parts featured on Page 16.

Please contact Designability to enquire about the availability of any spare parts



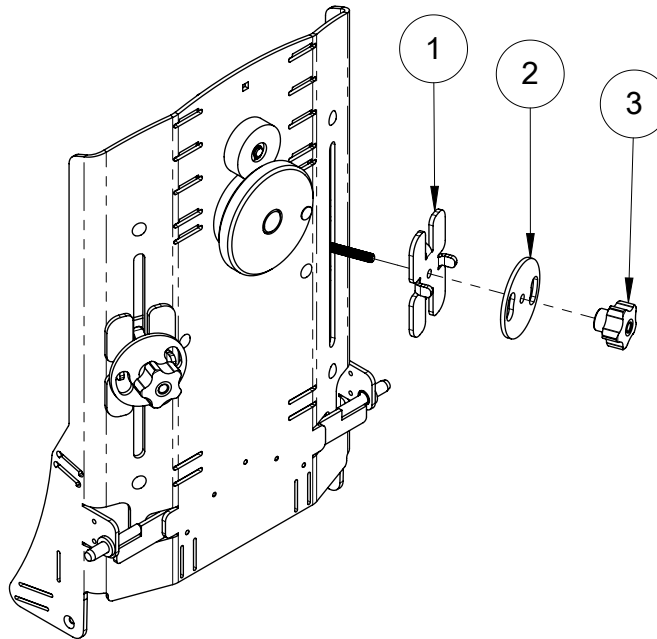
ITEM NO.	PART NUMBER	DESCRIPTION	QUANTITY
1	30BBCCC - 100312	WIRING ASSY LINX	1
2	30BBCCC - 100124	POWER MODULE ASSY LINX	1
3	100052	MOTOR DRIVE BOSCH	2
4	100305	MOTOR LEAD	2
5	100138	EARTHING CHAIN	1
6	100509	BATTERY COVER ASSEMBLY	1
7	100516	PLUNGER MOUNT	1
8	100513	SPRING PLUNGER - 8 X 18 BODY - 6.2 X 6.5 PIN - POM	1

Please contact Designability to enquire about the availability of any spare parts



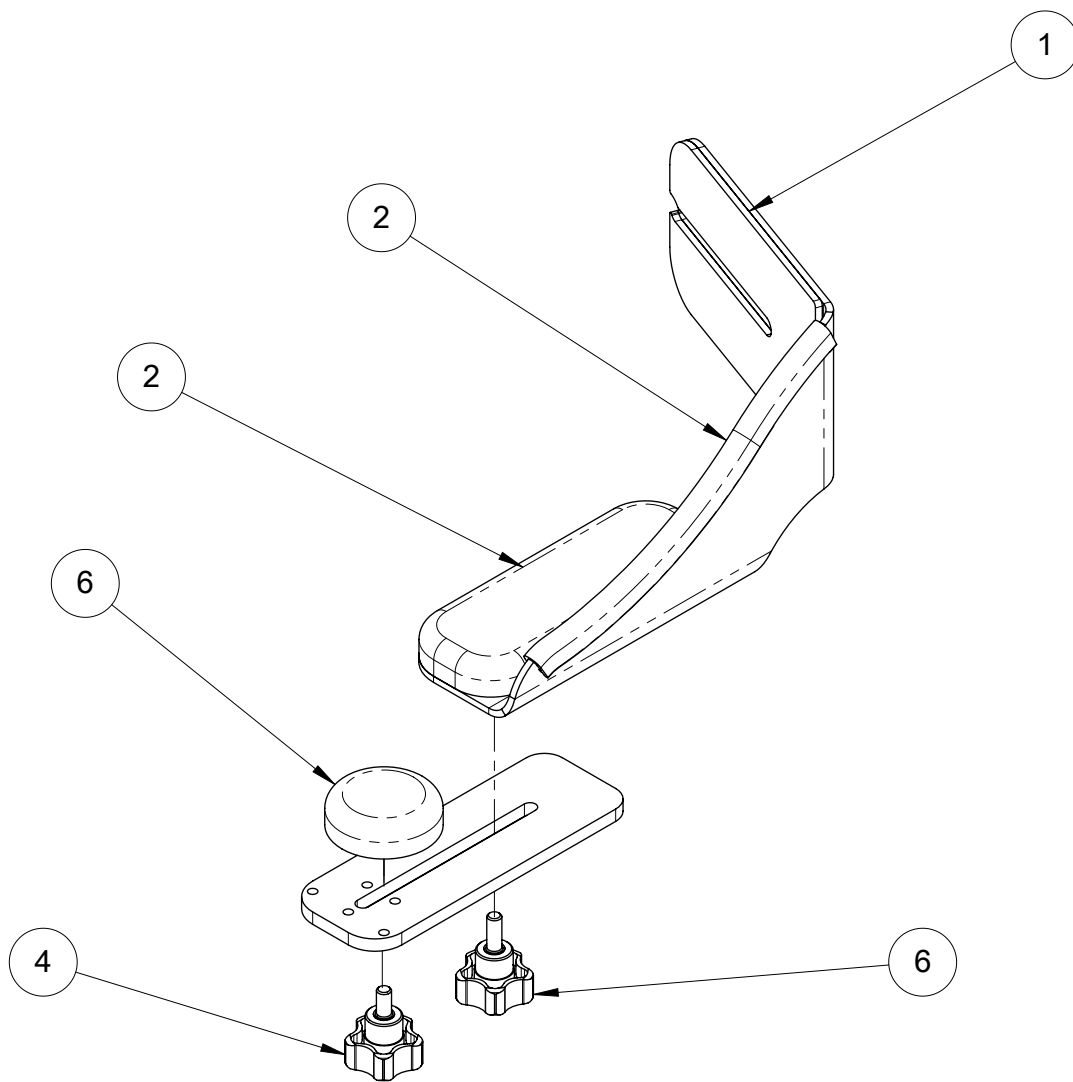
ITEM NO.	PART NUMBER	DESCRIPTION	QUANTITY
1	100510	BATTERY SOCKET BOX	1
2	100511	BATTERY HATCH COVER	1
3	100514	POWERCON TRUE1 TOP M SOCKET	1

Please contact Designability to enquire about the availability of any spare parts



ITEM NO.	PART NUMBER	DESCRIPTION	QUANTITY
1	100093	ARMREST CROSS SIMPLE	2
2	100023	SEATBACK OUTER PLATE	2
3	100151	HAND WHEEL - RED - M6 FEMALE	2

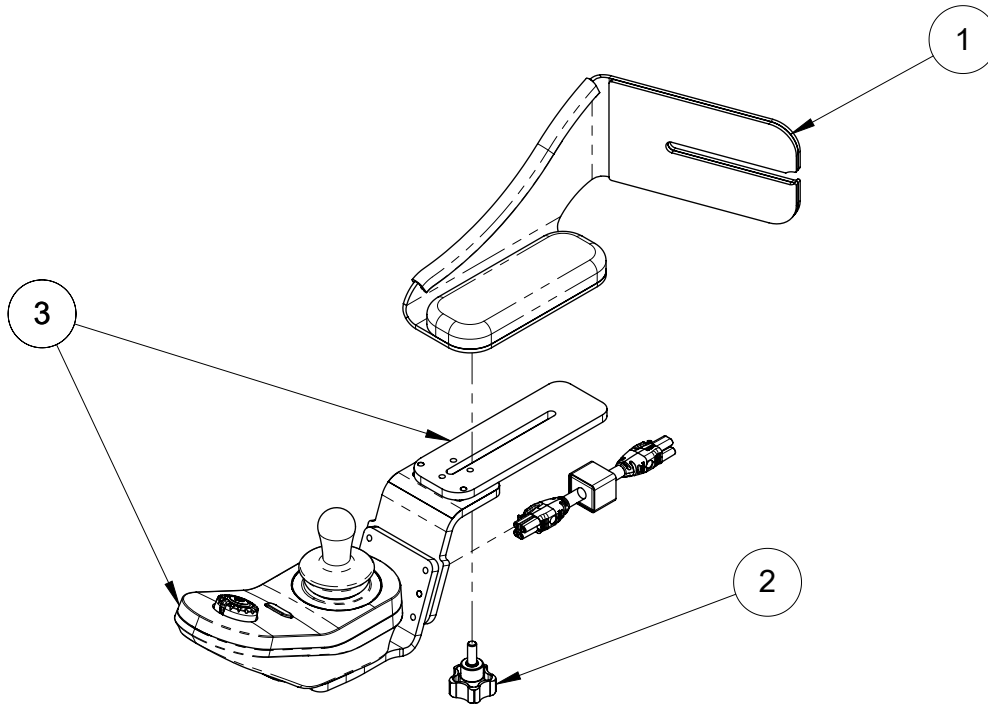
Please contact Designability to enquire about the availability of any spare parts



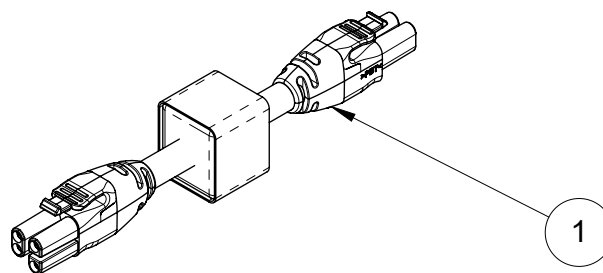
ITEM NO.	PART NUMBER	DESCRIPTION	QUANTITY
1	100082	ARMREST PAD	1
2	100522	EDGING STRIP - ARMREST	1
3	100034	JOYSTICK ARM FLAT	1
4	100521	HAND WHEEL - BLACK - M6 MALE - CUT DOWN	1
5	100035	WRIST PAD	1
6	100160	HAND WHEEL - BLACK - M6 MALE	1

Please contact Designability to enquire about the availability of any spare parts





ITEM NO.	PART NUMBER	DESCRIPTION	QUANTITY
1	100320	ARMREST ASSY RH	1
2	100160	HAND WHEEL - BLACK - M6 MALE	1
3	30BBCCC - 100130	JOYSTICK AND ARM ASSY LINX	1

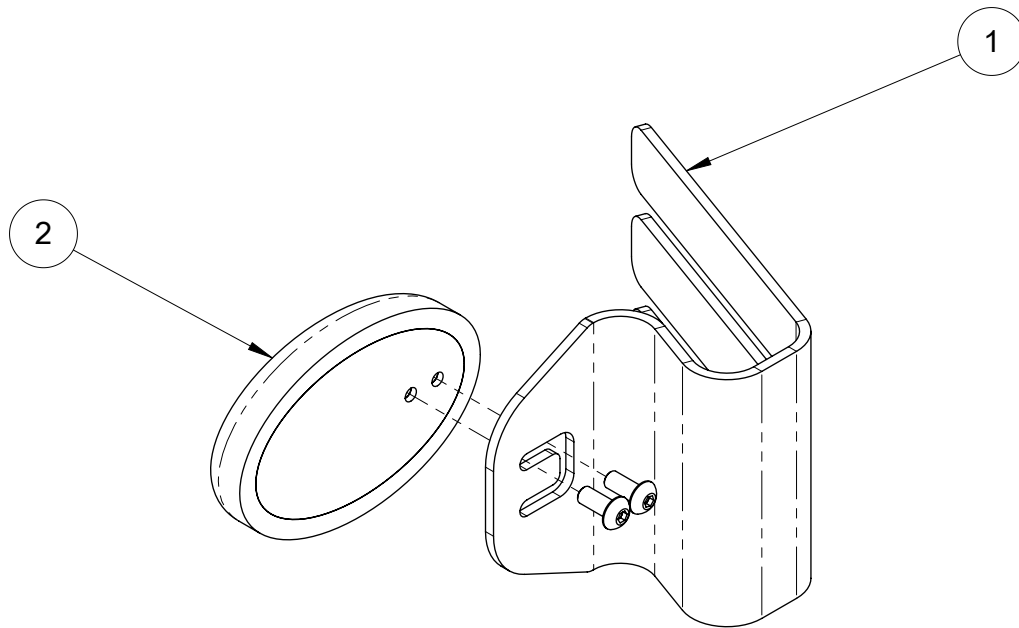


SCALE 1 : 2

100520 - JOYSTICK CABLE ASSEMBLY - LINX

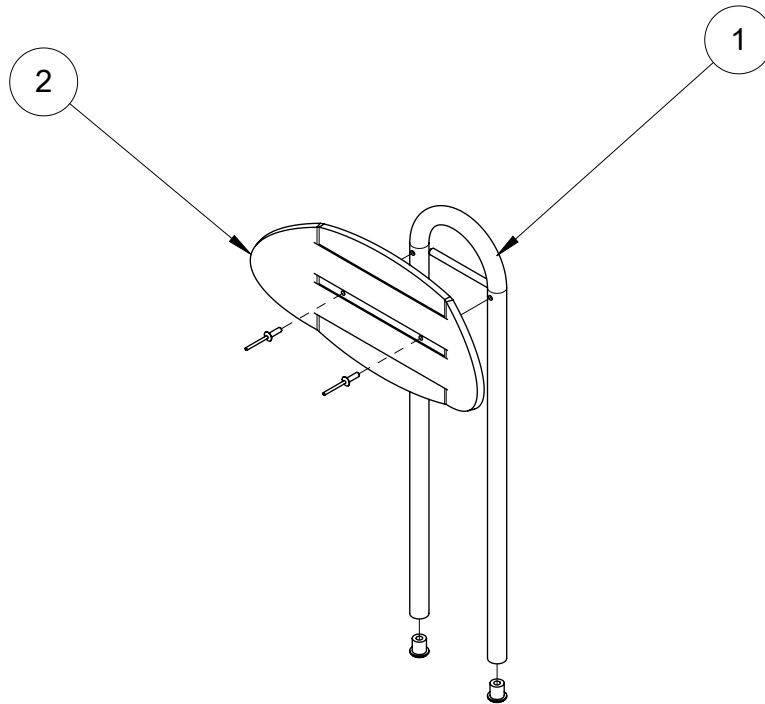
ITEM NO.	PART NUMBER	DESCRIPTION	QUANTITY
1	100481	BUS CABLE - LINX - 1000 MM	1

Please contact Designability to enquire about the availability of any spare parts



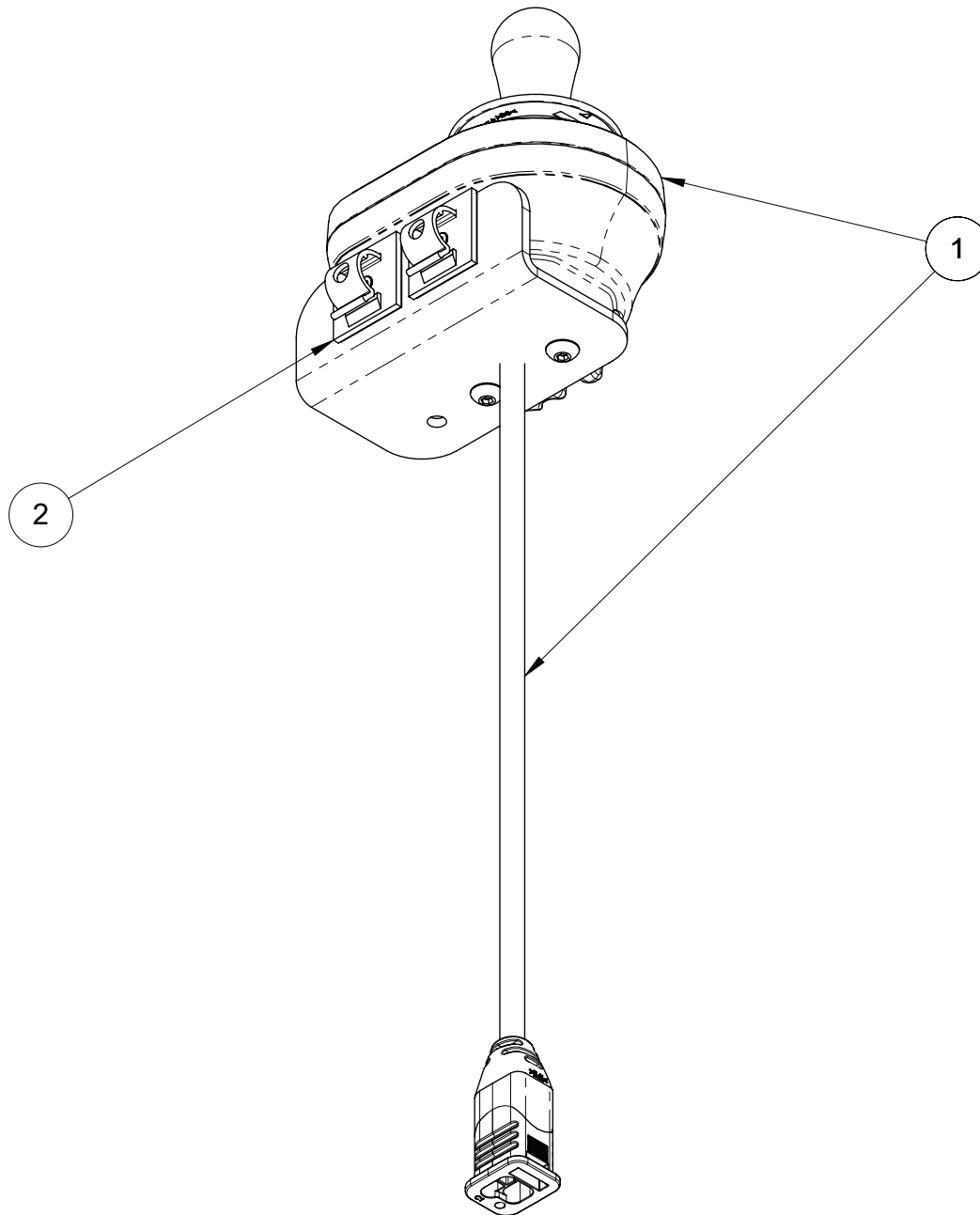
ITEM NO.	PART NUMBER	DESCRIPTION	QUANTITY
1	100030	THORACIC BRACKET	1
2	100032	THORACIC PAD	1

Please contact Designability to enquire about the availability of any spare parts



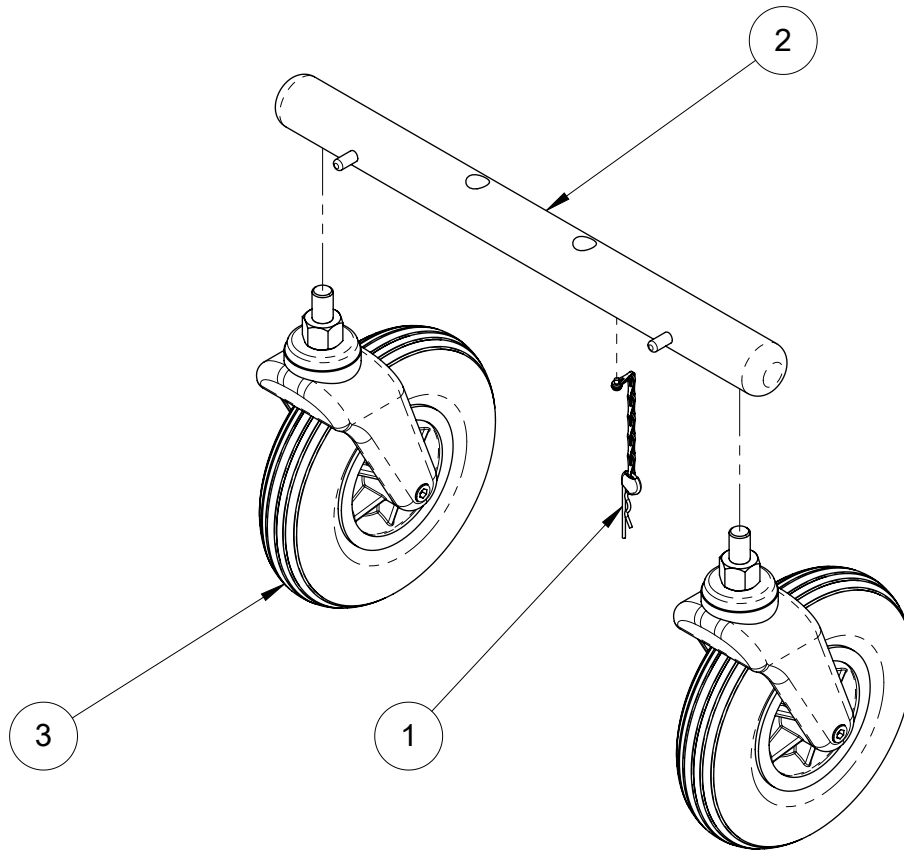
ITEM NO.	PART NUMBER	DESCRIPTION	QUANTITY
1	100099	HEADREST WELDMENT	1
2	100027	HEADREST BACK	1

Please contact Designability to enquire about the availability of any spare parts



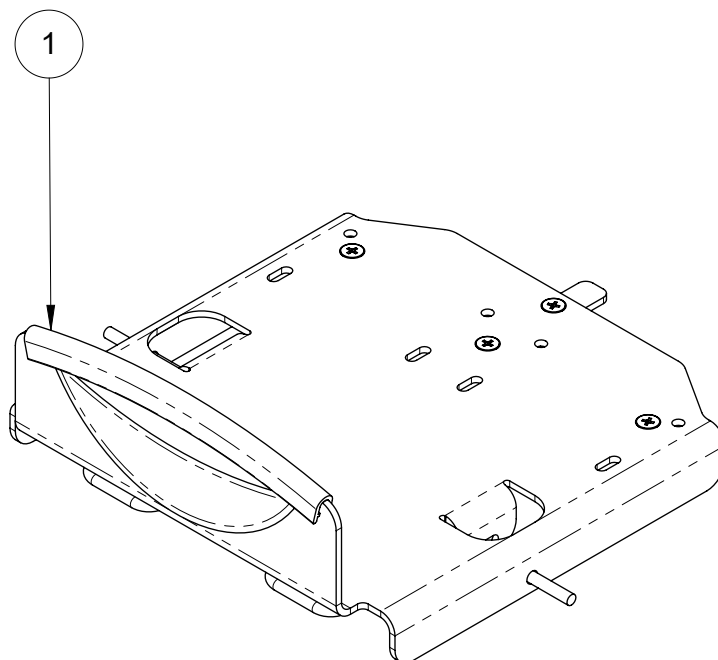
ITEM NO.	PART NUMBER	DESCRIPTION	QUANTITY
1	100483	ATTENDANT CONTROL JOYSTICK LINX	1
2	100559	CABLE CLIP MODIFIED	2

Please contact Designability to enquire about the availability of any spare parts



ITEM NO.	PART NUMBER	DESCRIPTION	QUANTITY
1	100399	R CLIP ASSY	1
2	100069	REAR AXLE	1
3	100454	200X50 PU WHEEL - WITH CUSTOM CASTOR	2

Please contact Designability to enquire about the availability of any spare parts



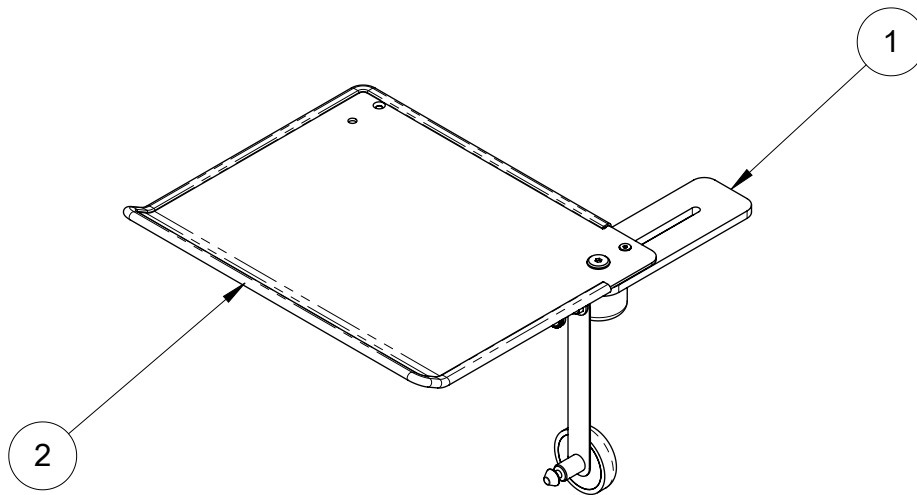
ITEM NO.	PART NUMBER	DESCRIPTION	QUANTITY
1	100523	EDGING STRIP - FOOTREST	1
OPT	100249	ANKLESURES KIT	1

Additional parts not included in standard Wizzybug Assembly,

OPT - 100249 - ANKLESURES KIT

Futher parts featured on Page 16.

Please contact Designability to enquire about the availability of any spare parts



ITEM NO.	PART NUMBER	DESCRIPTION	QTY
1	100227	TRAY ARMREST FLAT SUB ASSY	1
2	100229	TRAY SUB ASSY	1

Please contact Designability to enquire about the availability of any spare parts

ITEM NO.	PART NUMBER	DESCRIPTION	QUANTITY
OPT	100330	WIZZYBUG STICKER SET - LABEL - FULL PRINTED SHEET	1
OPT	100474	DYNAMIC HARNESS	1
OPT	100326	BUTTERFLY HARNESS	1
OPT	100226	TRAY	1
OPT	100383	BUDDY BUTTON - RED	1
OPT	100386	BUDDY BUTTTON - BLUE	1
OPT	100385	BUDDY BUTTON - YELLOW	1
OPT	100384	BUDDY BUTTON - GREEN	1
OPT	100387	MOOZI J/S RED W/KNOB	1
OPT	100431	CHAILEY HEADREST ASSEMBLY	1
OPT	100389	BLACK BALL J/S KNOB	1
OPT	100457	BLUE FOAM BALL J/S KNOB	1
OPT	100407	T BAR JOYSTICK	1
OPT	100471	JENX MICRO POMMEL	1
OPT	100381	CORGI ABDUCTOR POMMEL - SMALL - CUSTOM BRACKET	1
OPT	100475	SPIKEY SILICONE BALL COVER	1
OPT	100378	THIGH ADDUCTOR	1
		<u>SWITCHES KIT</u>	
OPT	100570	BUS CABLE - LINX - 0.7m	1
OPT	100304	5 TO 1 SWITCH ADAPTER	1
OPT	100567	LINX DRIVE INPUT MODULE - DLX-IN500-A	1

Please contact Designability to enquire about the availability of any spare parts



REV.	DESCRIPTION	DESIGNER	DATE	APPROVED	DATE
0	Draft version created.	R Hanson	12/06/2019	-	-
1	Reviewed and issued.	R Hanson	13/06/2019	M Rouse M Ford	13/06/2019
2	Amended for revision 2; wheel release revision and some additional part reference details added.	R Hanson	25/03/2020	-	-
3	<p>Multiple restructuring of items to more accurately reflect real spares option:</p> <ul style="list-style-type: none"> <li>• Joystick cable, ferrite and wrap to exist in their own sub-assembly,</li> <li>• DX armrest assembly wrist pad included on both sides, not just non-joystick-side,</li> <li>• Hand wheel that secures wrist pad is cut down version,</li> <li>• Edging strip for footrest and armrest should be separated for clarity. Pt no for each,</li> <li>• Plastic side spacers moved into main seat assembly,</li> <li>• Group (for spares reference) body+metalwork, and body+metalwork+wired backplate,</li> <li>• 100127 listed as right hand, but shows left hand - removed handed description,</li> <li>• 100390 Foam ball knob removed from options,</li> <li>• Tray assembly split down to 2 sub assemblies.</li> </ul>	R Hanson	09/04/2020	M ROUSE	14/04/2020
4	Drawing reconfigured to LiNX Variant with LIFEPO4 battery - BOM reconciliation requires review	M.FORD	06/05/2021	-	-
5	Document amended, full details of changes presented in CRN-011	N. DEER	28/04/2022	M. FORD	29/04/2022

Please contact Designability to enquire about the availability of any spare parts